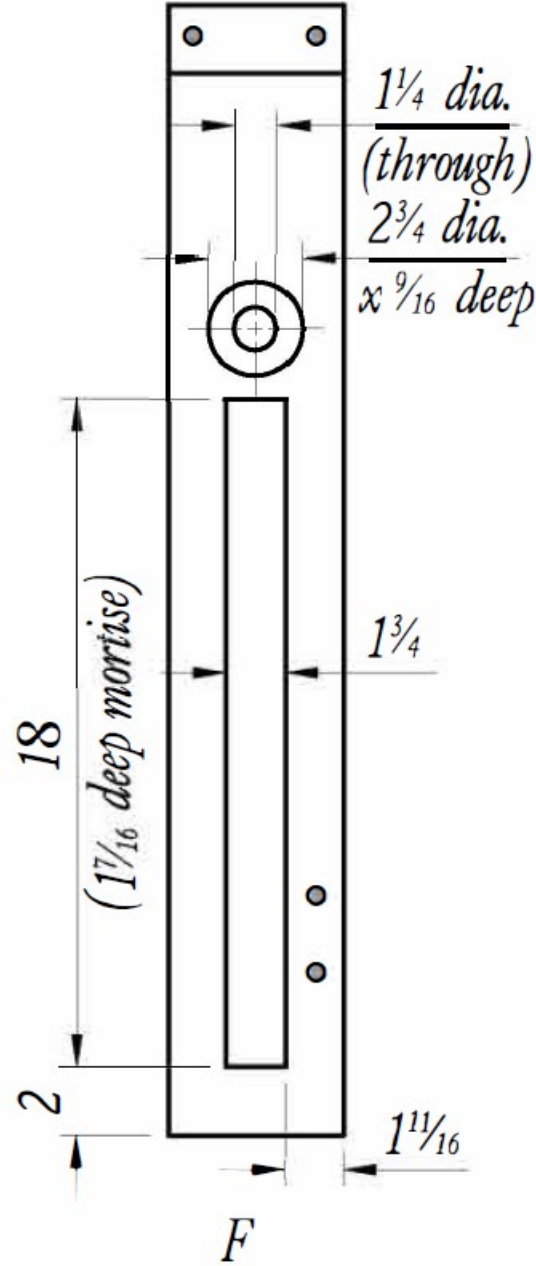
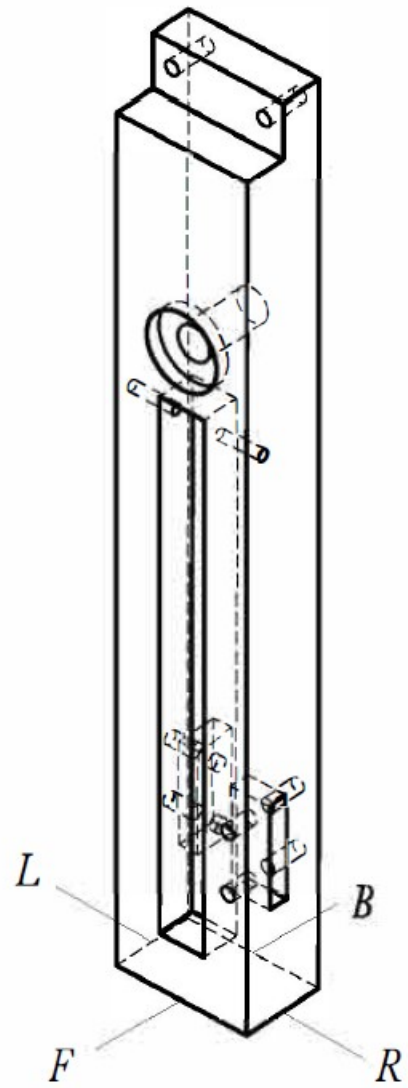
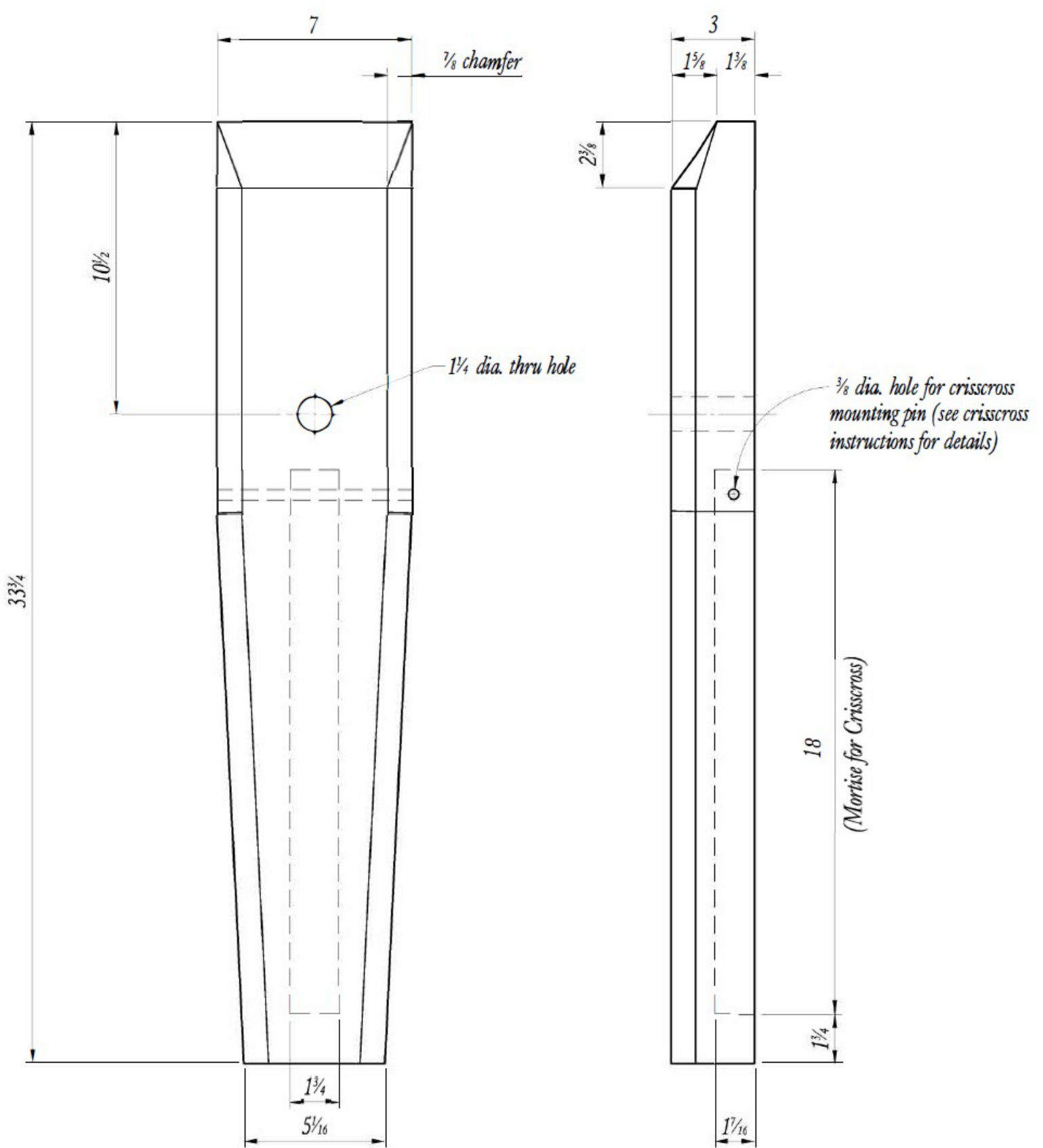


Back Left Leg



$\frac{3}{8}$ dia. hole for crisscross mounting pin (see crisscross instructions for details)





Front Vise Chop
 Scale - 3" : 1'-0"